



MP30

OUTDOOR WIDE-ANGLE PASSIVE INFRARED DETECTOR

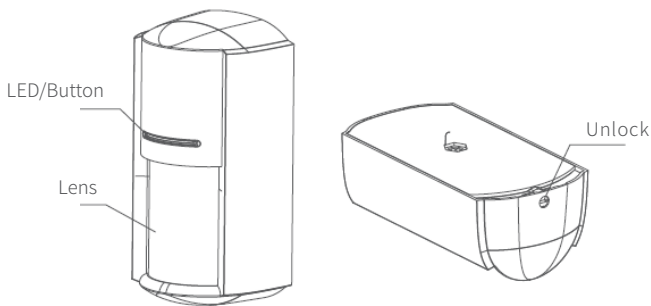
User guide - EN

This product is an outdoor wide-angle passive infrared detector which is suitable to be used in balcony, window, corridor and other locations for security precautions. It can quickly react human intrusion and transmit an alarm signal to alarm panel.

Packing List

- Manual (×1)
- Detector (×1)
- Screw (×2)
- Screw cap (×2)

Product Diagram

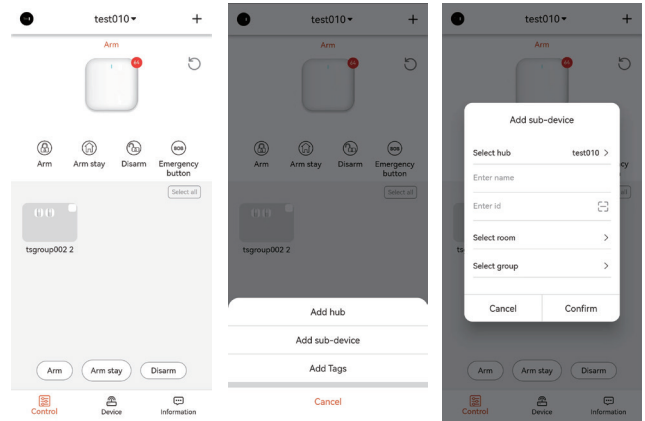


Specification

Working Voltage	DC 3V (battery CR123A)
Working Current	50 mA
Static Current	≤45uA
Working Temperature	-20°C ~ +55°C
Working Humidity	≤95%RH
Detection Range	16m, wall mounted
Detection Angle	90°
Wireless Protocol	868 MHz
Wireless Distance	800m (Open Area)
Pet Immunity	35KG
Battery Life	5 Years
Dimension	153 × 80 × 58 mm

Add device to APP

- (1) Alarm panel must be already added to application iGET M6.
- (2) In app click "+" > "Add Device" > "Scan Device QR Code" and press the prompt to proceed with the subsequent operations, as shown in the screenshots.



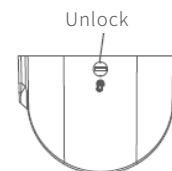
- (3) Press the device indicator light for 3 seconds. The green light will flash, and the device will enter enrolling mode.
- (4) Wait for the alarm panel to be successfully added. After success, the panel will emit a "ding dong" sound. If it fails, please try the above steps again.

Function introduction

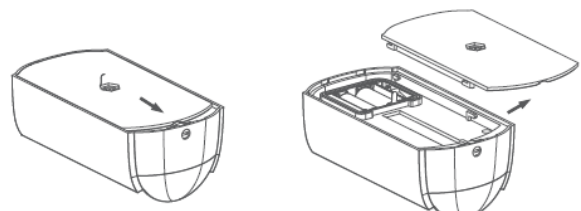
- (1) This product needs to be paired with an alarm panel iGET M6. When using this product or replacing the alarm panel for the first time, it is necessary to configure with alarm panel.
- (2) Please follow the steps of adding device to add this product to the alarm panel.
- (3) This product has a low voltage reminder function. When the battery voltage of the product is low, the sensor will send a low voltage reminder to the panel.
- (4) This product has sensitivity adjustment function and can be configured through the APP.
- (5) The heartbeat configuration function of this product can be configured through the APP 36-128s.
- (6) This product has anti-tamper function. When the device is disassembled, it will flash red light once and send alarm information to the panel.

Installation

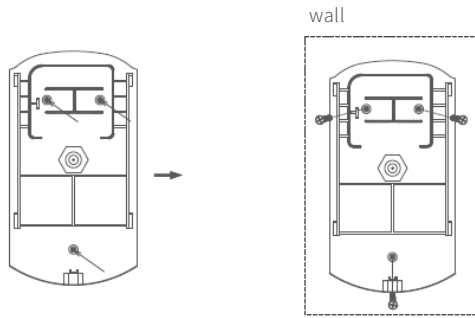
- (1) Unlock: Insert a small flat-head screwdriver into the groove and rotate 180°.



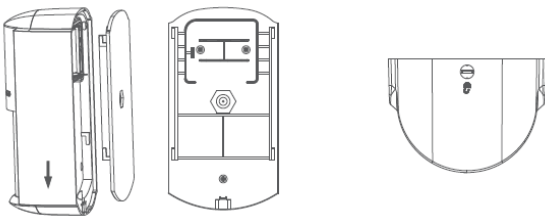
- (2) Push the installation plate down and remove it in the direction of the arrow.



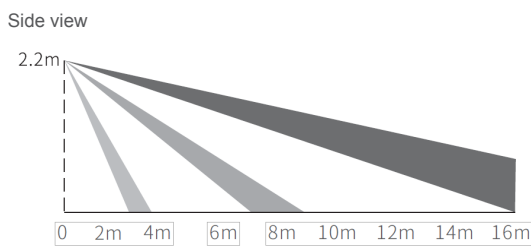
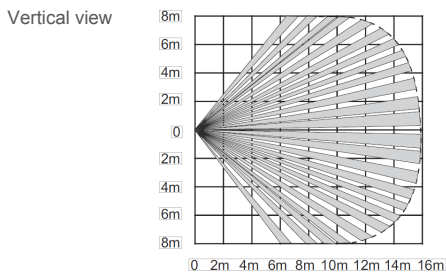
(3) Drill three mounting holes as shown in the picture, and fix the mounting plate on the wall with screws.



4. Choose the wall mounting position, hang the detector on the installation plate, pull it down into place in the direction of the arrow, and rotate it 180° by inserting a small flat-head screwdriver into the groove.

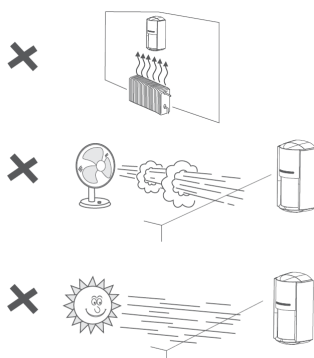


Detection Range



The installation height is 1.8m-2.2m.

Note



(1) This product is only for outdoor use. Please follow the instructions to install and use the product correctly. Do not touch the lens to avoid affecting the sensitivity of the product, if cleaning the lens, please disconnect the power and use a soft cloth dipped in a little alcohol then wipe. Please avoid using it in environments with significant temperature changes.

(2) The installation location should avoid being close to air conditioners, electric fans, refrigerators, ovens, and those that can cause temperature changes, avoid direct sunlight on the product.

(3) This product can prevent accidents from occurring, but it cannot guarantee safety. For safety reasons, except using this product properly, please be vigilant and strengthen safety prevention awareness in daily life.

Warranty and safety notices

- Do not place any heavy or sharp objects on the device.
- Do not expose the device to direct sunlight and heat, and both must not be covered.
- Do not expose the device to an environment with a temperature higher or lower than the recommended temperature.
- Do not expose the device to a dusty and humid environment over 85% including rain and liquids (except for outdoor cameras).
- Do not use any corrosive cleaning agents to clean the device.
- Do not expose the device to strong magnetic or electronic interference.
- Do not use any power adapters other than those included with the device. The supplied power supply can only be connected to an electrical outlet whose voltage corresponds to the information on the type plate of the power supply.
- Do not leave the power adapter in places with low combustion temperatures and on parts of the human body, as the adapter heats up and may cause injury.
- Do not use the device while eating or drinking.
- Keep the device out of the reach of children.
- The user is not authorized to disassemble the device or replace any of its parts. Opening or removing covers that are not originally accessible poses a risk of electric shock. Incorrect assembly and reconnection of the device also exposes you to the risk of electric shock. In the event of a necessary service intervention, contact only qualified service technicians.
- If the device has been in an environment with a temperature lower than -30°C for a certain period of time, leave this device switched off in a room with a temperature of 10°C to +20°C for more than one hour. Only then can you switch it on.
- For warranty repairs of the device, apply to your dealer. In case of technical problems and questions, contact your dealer. n) For households: The symbol (crossed-out wheeled bin) on the product or in the accompanying documentation means that used electrical or electronic products must not be disposed of with municipal waste. In order to dispose of the product correctly, hand it in at designated collection points, where it will be accepted free of charge. By disposing of this product correctly, you will help to conserve valuable natural resources and help prevent potential negative consequences for the environment and human health, which could otherwise be caused by inappropriate waste disposal. Please contact your local authorities or the nearest collection point for more details. Incorrect disposal of this type of waste may result in fines in accordance with national regulations. Information for users on disposal of electrical and electronic equipment (business and industrial use): For detailed information on the correct disposal of electrical and electronic equipment, please contact your dealer or supplier. Information for users on disposal of electrical and electronic equipment in other countries outside the European Union: The above symbol (crossed-out wheeled bin) is only valid in European Union countries. For detailed information on the correct disposal of electrical and electronic equipment, please contact your local authorities or the dealer where you purchased the equipment. This is indicated by the crossed-out wheeled bin symbol on the product, packaging or printed materials. Not intended for use near water, e.g. near a bathtub, washbowl, kitchen sink, laundry tub, in a wet basement, or near a swimming pool (except for outdoor cameras).

Other precautions:

Follow the rules for working with electrical appliances and connect the power cord only to the appropriate electrical sockets. The user is not authorized to disassemble the device or replace any of its parts. Opening or removing covers that are not originally intended for this purpose poses a risk of electric shock. Incorrect assembly and reconnection of the device also exposes you to the risk of electric shock.

Declaration of Conformity:

Hereby, INTELEK LTD, organizační složka declares that the device type MP30 (LH-934F/K) is in compliance with Directive 2014/53/EU and others. The full EU declaration of conformity is available on the following website: www.iget.eu. The warranty period for the product is 24 months, unless otherwise stated.

RoHS:

This device meets the requirements on the restriction of the use of certain hazardous substances in electrical and electronic equipment (Government Regulation No. 481/2012 Coll., which was amended by Government Regulation No. 391/2016 Coll.) and thus the requirements of Directive 2011/65/EU of the European Parliament and of the Council on the restriction of the use of certain hazardous substances in electrical and electronic equipment. The RoHS declaration can be downloaded from www.iget.eu.

Exclusive manufacturer/importer of iGET products for the EU:

INTELEK LTD, organizační složka, Ericha Roučky 1291/4, 627 00 Brno, Czech Republic

WEB: <http://www.iget.eu>

SUPPORT: <http://www.iget.eu/helpdesk>

Copyright © 2025 INTELEK LTD. All rights reserved.

